

Washer extractor

QuickWash

Features and benefits

- A knob for simple programme selection and start
- Large, clear display
- AWS – Automatic Weighing System with Compass Control – determine the wash load and adopt the water intake accordingly. Savings on water and energy if machine is not fully loaded
- Front-mounted detergent drawer with four compartments for powder or liquid detergent
- High extraction force for efficient dewatering
- Panels and frame made from galvanized steel
- Inner and outer drums made from stainless steel
- Powder coated black front panel, side panels and top cover
- Strong door and hinges. Easy-grip, ergonomic door handle which makes the door easy to open and close
- Drain pump
- Frequency-controlled motor with no carbon or brushes
- Door seal in the door, does not wear when the machine is loaded and unloaded



Main options

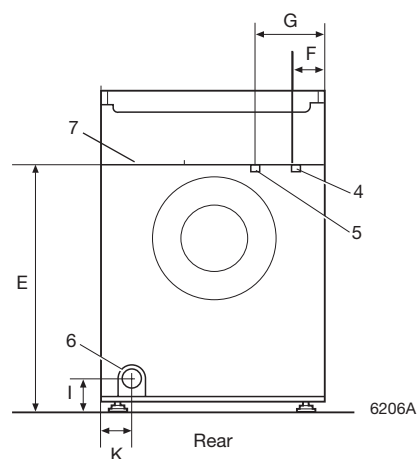
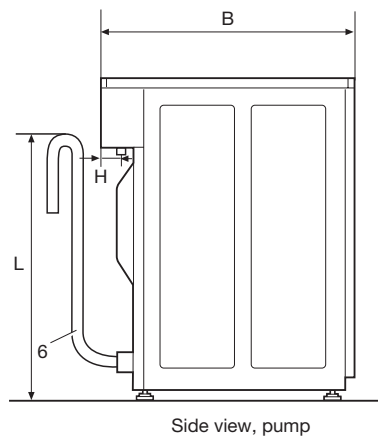
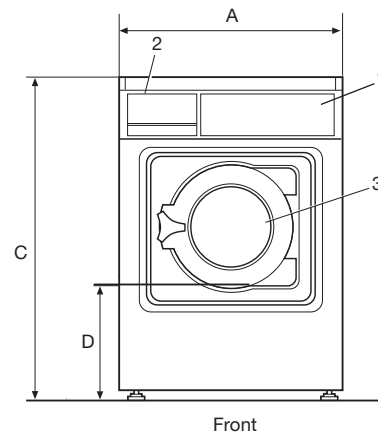
- This machine can be upgraded to include the “Towel” programme range for washing very dirty towels, cloths or clothes
- Stacking kit to install tumble dryer QuickDry on top to save space
- Plinths for raising the machine to a comfortable height (height 100 mm when installed with a tumble dryer, or 290 mm)
- Connecting hoses

Main specifications		QuickWash
Max. capacity	kg	5.5
Drum, volume	litre	53
diameter	ø mm	452
Extraction	rpm	1300
G-factor		425
Heating alternatives, electricity	kW	4.4
Consumption data "Normal 60°C" *		
Total time	min	44
Water consumption	litre	67
Energy consumption (motor/heating)	kWh	0.15/0.75
* Water temperature 15°C cold water.		

Electrical connections*			QuickWash
Heating	Voltage		
EI.	400V 3N AC 50 Hz	kW(A)	4.7(10)
Water connections			
Water valves	DN		20
Water pressure	kPa		200-500
Capacity at 300 kPa	l/min		17
Draining capacity	l/min		25
Max. draining	l		20
Floor requirements			
Frequency of the dynamic force	Hz		20
Max floor load at extraction	kN		1.02±0.3
Sound levels			
Sound power level**	dB(A)		68
Heat emission			
% of installed power, max			5
Shipping data			
	net, kg		99
	crated, kg		109
Shipping volume	m ³		0.47
Accessories			
Stacking kit with QuickDry			x
Stainless base, 290 mm, and galvanised base for stacking installation, 100 mm			x
Dimensions in mm			
A	Width		595
B	Depth		680
C	Height		850
D			305
E			660
F			80
G			195
H			60
I			90
K			80
L			650 ± 50
1	Control panel		
2	Soap box		
3	Door opening ø255		
4	Cold water		
5	Hot water		
6	Drain, pump		
7	Electrical connection		

* Other voltages available, see installation manual

** According to IEC 60704



Tumble dryer

QuickDry

Features and benefits

- A knob for simple programme selection and start
- Large, clear display
- Time and temperature selection for flexible use
- Residual Moisture Control for an accurate drying result and a low energy consumption
- Reversing drum for less tangling of large items
- Anti-wrinkle function prevents wrinkling of textiles if the dryer is not emptied
- Stainless steel drum
- The door can be switched from left to right mounting
- Powder coated black front panel, side panels and top cover



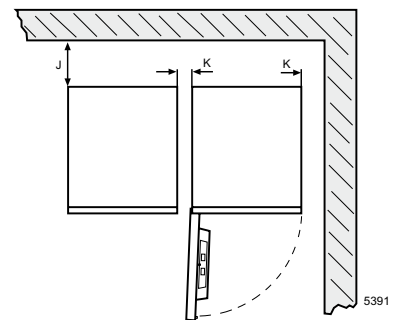
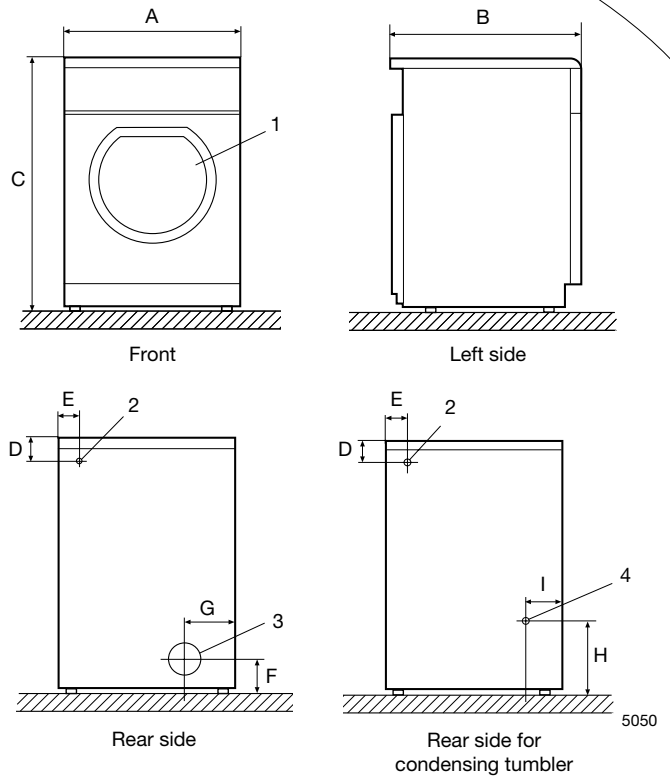
Main options

- Stacking frame for mounting QuickDry on top of QuickWash
- Stainless plinth for raising the machine to a comfortable height, 290 mm
- QuickDry is available as an evacuation dryer or condensation dryer

Main specifications		QuickDry		QuickDry Condense	
		1:22	1:30	1:22	1:30
Rated capacity, filling factor 1:30	kg	4.3		4.3	
Rated capacity, filling factor 1:22	kg	5.9		5.9	
Drum volume	litre	130		130	
Drum diameter	mm	575		575	
Heating alternatives electric	kW	5.1		3.0	
Consumption data*					
Total time full load	min	37	27	69	59
Energy consumption, full load	kWh	31	2.3	35	3.0
Evaporation	g/min	81	81	43	43

* At rated capacity 100% cotton load at 50% initial moisture dried to 0%.

Electrical connections			QuickDry	Condense
Heating Voltage				
El.	400V 3NAC 50 Hz	kW(A)	5,3 (10)	3,4 (10)
Connections				
Air outlet	mm	ø 100	-	-
Evacuated air, el	m ³ /h	260	-	-
Condensate		-	1/2"	-
Pressure drop	Max. Pa	50	-	-
Sound levels				
Airborne sound level	dB(A)	<70	<70	
Heat emission				
% of installed power, max		15	*	
Shipping data				
	net, kg	60	63	
	crated, kg	67	70	
Shipping volume	net, m ³	0,52	0,52	
	crated, m ³	0,63	0,63	
Accessories				
Stacking frame for mounting QuickDry on top of QuickWash		x	x	
Stainless steel base frame 290 mm		x	x	
Dimensions in mm				
A Width		595	595	
B Depth		735	735	
C Height		850	850	
D		78	78	
E		78	78	
F		100	100	
G		197	197	
H		235	235	
I		115	115	
J		300	300	
K		70	70	
1 Door opening ø 370 2 Electrical connection 3 Exhaust connection 4 Condense connection				



Ventilation QuickDry with condensation unit

The energy used to dry your washing ends up in the room in the form of heat. This is why the room becomes too hot and requires ventilation when the tumble dryer is used. An air change rate of 400 m³/h is required with an outdoor temperature of 0 °C and a desired room temperature of 20-25 °C. A thermostat-controlled fan – part No. 9888020-43 – is available as an optional extra. The fan and fresh air intake are positioned as shown in the illustration. The advantage of condensation dryers is that you do not have to evacuate fluff gathered and moist air.

