

Pressure Fryers

PFE-561 Electric pressure fryer

Pressure fryers use controlled low pressure for faster cooking at lower temperatures. This method seals in the food's moisture and natural juices while sealing out excess shortening for healthier, better-tasting, hot fresh food.

Description

The Henny Penny PFE-561 pressure fryer offers additional capacity with the same footprint, design and performance features as our standard electric fryer.

- The PFE-561 cooks up to 18 lbs. (8.2 kg) of food per load from five square feet of floor space.
- Programmable Computron 8000® control module is standard.
- Electro-mechanical controls are available. Please specify when ordering.
- Built-in filtration system extends shortening life at optimal levels.

Standard Computron 8000® control panel

- Large 16-character digital display with multiple language settings.
- Recessed control panel with easy to read LED displays and touch pad controls.
- Automatic or manual idle, melt cycles.
- 10 programmable cook cycles.
- Automatic load compensation.
- Programmable on/off pressure.
- Optional filter enforcement.
- Temperature display in °F or °C.
- Cook Cycle Usage Summary.
- Programmable user password.
- Daily statistics for past 7 days.
- Monitors amps supplied to heating elements.

Main Features

- High volume cooking, compact footprint
- Stainless steel rectangular fry pot promotes more even cooking.
- Built-in filtration system.
- Cast aluminum alloy lid.
- Heavy duty lid hinge, spring and front lid latch.
- Color keyed locking spindle engages pressure seal.
- Patented design keeps lid locked until pressure drops to 1 psi.
- Automatic pressure release valve.
- Baffled exhaust stack.
- Channel underneath lid directs condensation away from hot shortening when lid is raised.
- Raised edge on frier top catches spills.
- Cook cycle completion signal.

Accessories shipped with unit:

- (1) Set of cleaning brushes
 - (5) PHT filter envelopes
 - (1) Tube of molycote lube
- Installation, operating and service manual

Options available separately:

- Heavy duty casters (2 locking)
- Full size basket and handle
- Filter pan dolly
- Rinse hose attachment
- Non-woven carbon filter envelopes

Henny Penny Corporation

P.O. Box 60
Eaton, OH 45320

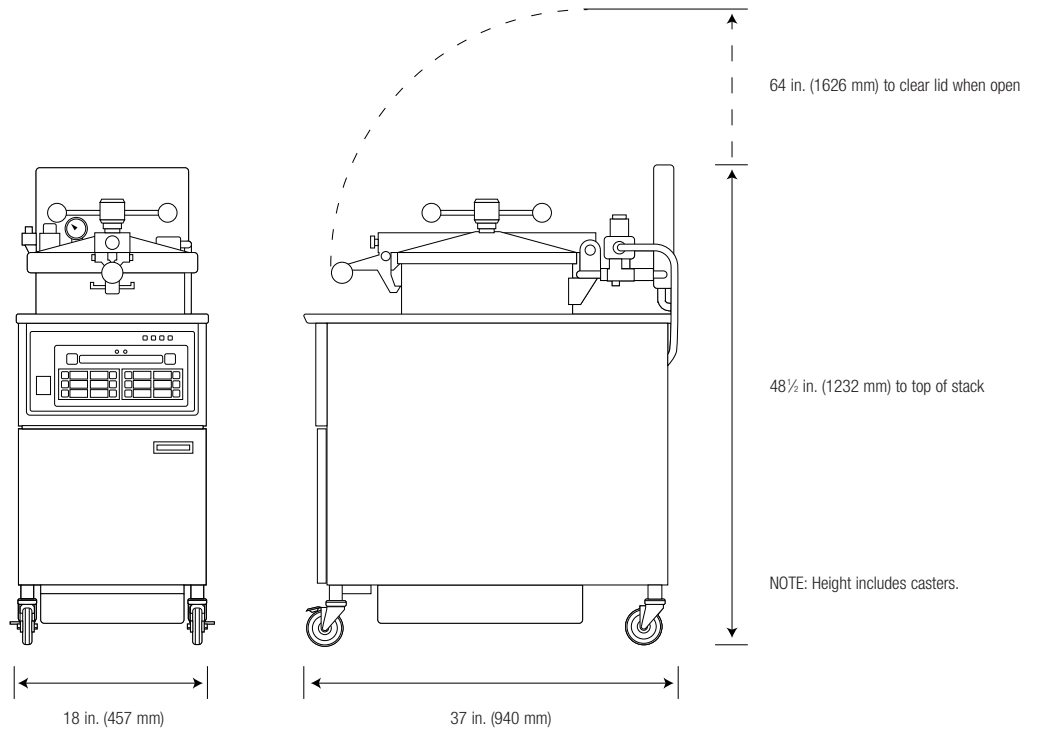
+1 937 456.8400
+1 937 456.8434 Fax

Toll free in USA
800 417.8417
800 417.8434 Fax

www.hennypenny.com



PFE-561 Specifications



Dimensions

Clearances

Sides and back: 6 in. (152 mm)

Floor Space

5 sq. ft. (.46 m²)

Capacity

Product
Shortening

18 lbs. (8.2 kg)

69 lbs. (31.3 kg)

Heating Format

Electric immersion, 11.25 KW

Pressure

Operating pressure: 12 psi. Safety valve setting: 14.5 psi.

Shipping Weight

325 lbs. (147 kg)

Listings

UL, CUL, NSF


Electrical

Voltage	Phase	Cycle/Hz	Amps
			11.25 kw
208	3	60	31
220-240	3	60	28

All international voltages available.

Optional power cord and plug can be supplied for 3 phase 208 v and 230 v units, only.

Plug type: NEMA 15-50 P



Specifications subject to change without notice

Order from:

Manufactured by:

Henny Penny Corporation

P.O. Box 60
Eaton, OH 45320