

Pressure Fryers

PFE-500 Electric pressure fryer
PFE-500 with Computron 8000® control module

Pressure fryers use controlled low pressure for faster cooking at lower temperatures. This method seals in the food's moisture and natural juices while sealing out excess shortening for healthier, better-tasting, hot fresh food.

Description

Henny Penny pressure fryers represent one of the most profitable, efficient and space-saving methods of high-volume cooking.

- The PFE-500 cooks up to 14 lbs. (6.3 kg) of food per load from five square feet of floor space.
- Choose Computron 8000® control option for programmable operation.
- Built-in filtration system extends shortening life at optimal levels.



Optional Computron 8000® control

- Large 16-character digital display with multiple language settings.
- Automatic or manual idle, melt cycles.
- 10 programmable cook cycles.
- Automatic load compensation.
- Programmable on/off pressure.
- Optional filter enforcement.
- Temperature display in °F or °C.
- Cook Cycle Usage Summary.
- Programmable user password.
- Daily statistics for past 7 days.
- Monitors amps supplied to heating elements.

Main Features

- Standard electro-mechanical control with easy to use temperature and timer controls.
- Stainless steel rectangular fry pot promotes more even cooking.
- Built-in filtration system.
- Cast aluminum alloy lid.
- Heavy duty lid hinge, spring and front lid latch.
- Color keyed locking spindle engages pressure seal.
- Patented design keeps lid locked until pressure drops to 1 psi.
- Automatic pressure release valve.
- Baffled exhaust stack.
- Channel underneath lid directs condensation away from hot shortening when lid is raised.
- Raised edge on frier top catches spills.
- Cook cycle completion signal.



Accessories shipped with unit:

- (1) Set of cleaning brushes
 - (5) PHT filter envelopes
 - (1) Tube of molycote lube
- Installation, operating and service manual

Options available separately:

- Heavy duty casters (2 locking)
- Filter pan dolly
- Rinse hose attachment
- Open basket and handle
- Expanded metal basket and handle
- 4-tier stainless steel basket and handle
- Non-woven carbon filter envelopes

Henny Penny Corporation

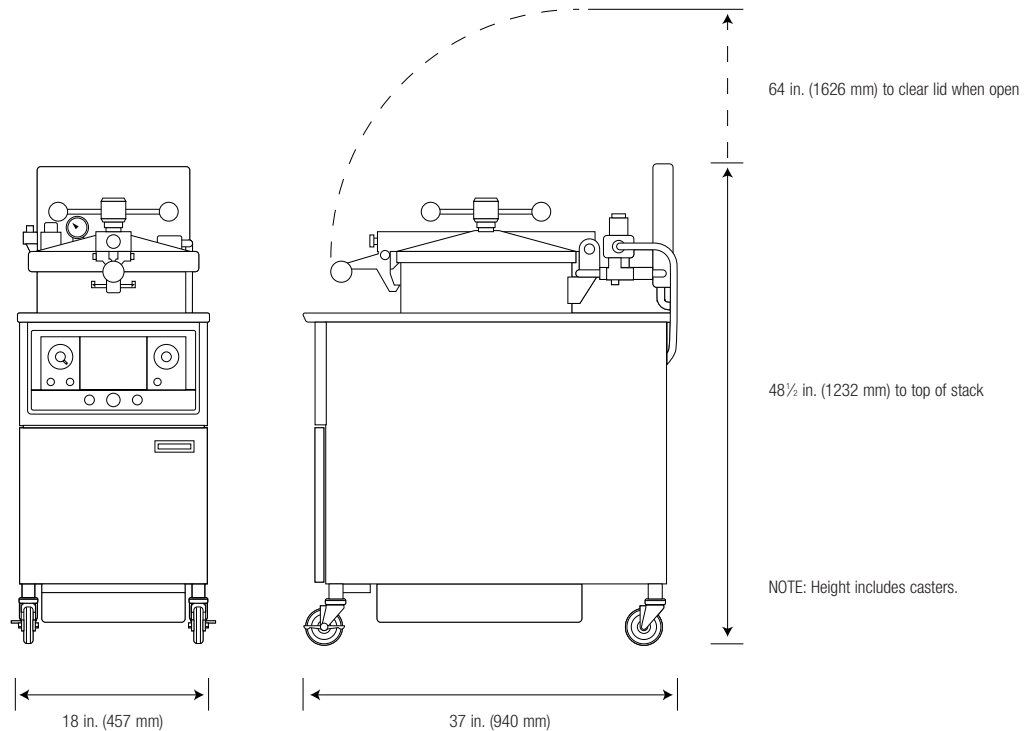
P.O. Box 60
Eaton, OH 45320

+1 937 456.8400
+1 937 456.8434 Fax

Toll free in USA
800 417.8417
800 417.8434 Fax

www.hennypenny.com

PFE-500 Specifications



Dimensions

Clearances

Sides and back: 6 in. (152 mm)

Floor Space

5 sq. ft. (.46 m²)

Capacity

Product
Shortening

14 lbs. (6.3 kg)

48 lbs. (21.7 kg)

Heating Format

Electric immersion, 11.25 KW or 13.5 KW

Pressure

Operating pressure: 12 psi. Safety valve setting: 14.5 psi.

Shipping Weight

325 lbs. (147 kg)

Listings

UL, CUL, UL Sanitation, CE

Electrical

Voltage	Phase	Cycle/Hz	Amps	
			11.25 kw	13.5 kw
208	3	60	31	38
208	1	60	54	65
220-240	3	60	28	34
220-240	1	60	49	59
Other voltages: 220-240, 380,400, 415, 440-480	1 or 3	50 or 60		
All international voltages available.				
Optional power cord and plug can be supplied for 3 phase 208 v and 230 v units, only.				
Plug type: NEMA 15-50 P				



Specifications subject to change without notice

Order from:

Manufactured by:

Henny Penny Corporation

P.O. Box 60
Eaton, OH 45320