

Merchandiser Bases

For HMR Heated
Merchandisers
and HMI Island
Merchandisers

Shown at right:

MPB-105 Profile Base, 19 in. (483 mm)
height, standard white finish shown with
HMR-105 Heated Merchandiser.



*Base units in several heights and styles
designed specifically to complement
Henny Penny HMR and Island
merchandisers.*

Description

Henny Penny Merchandiser bases are available in either Profile or Pedestal styles for both HMR and Island merchandisers.

Profile Bases are continuous length base units designed to support merchandisers at a choice of heights for desired food display and access.

Pedestal Bases provide an alternative look using two or three smaller units to support each merchandiser.

Profile Base Features

- Rugged stainless steel construction with sturdy structural framework.
- Bumper strip strategically placed on MPB bases to prevent grocery cart damage.
- Available in white, cream, or stainless steel. Custom color panels and several bumper colors are also available to match store décor.
- Recessed kicker panel.
- Adjustable leveling feet (Casters are also available for IP bases).

Pedestal Base Features

- Separate base pedestals with angled panels offer open, contemporary look to merchandiser display areas.
- Durable frame construction with snap-in side panels.
- Available in stainless steel finish or custom painted to match store décor.
- Recessed installation to avoid grocery cart damage.
- Adjustable leveling feet.



HMI-103 Island Merchandiser on PBI-280 Pedestal Base with stainless steel finish .

Henny Penny Corporation

P.O. Box 60
Eaton, OH 45320

+1 937 456.8400
+1 937 456.8402 Fax

Toll free in USA
800 417.8417
800 417.8402 Fax

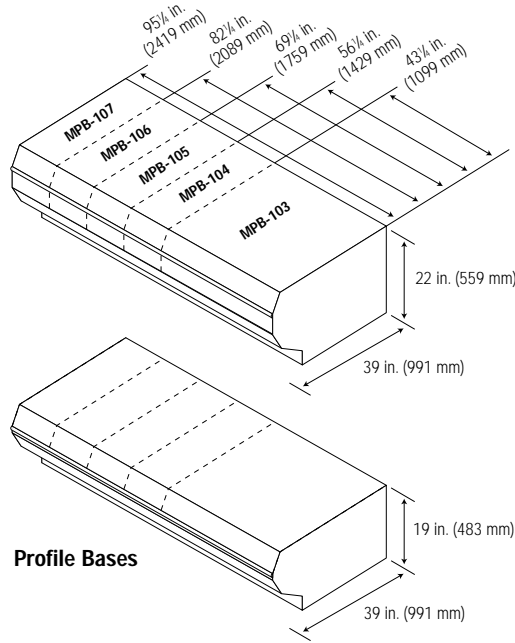
www.hennypenny.com

Merchandiser Base Specifications



HMR Merchandiser Bases

Dimensions

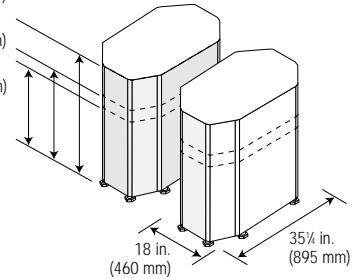


Shipping Weight

Profile Bases	19 in. (483 mm) height	22 in. (559 mm) height
MPB-103	170 lbs. (77 kg)	168 lbs. (76 kg)
MPB-104		
MPB-105	220 lbs. (100 kg)	232 lbs. (105 kg)
MBP-106		341 lbs. (155 kg)
MPB-107	297 lbs. (135 kg)	311 lbs. (141 kg)

Pedestal Bases

PBB-290
29 in. (737 mm)
PBB-220
22 in. (559 mm)
PBB-190
19 in. (489 mm)



Note: HMR-103, HMR-104, and HMR-105 merchandisers require (2) pedestals; HMR-106 and HMR-107 require (3) pedestals. All merchandisers require (1) connector kit (available separately).

Pedestal Bases (per pedestal)	
PBB-190	
PBB-220	59 lbs. (27kg)
PBB-290	

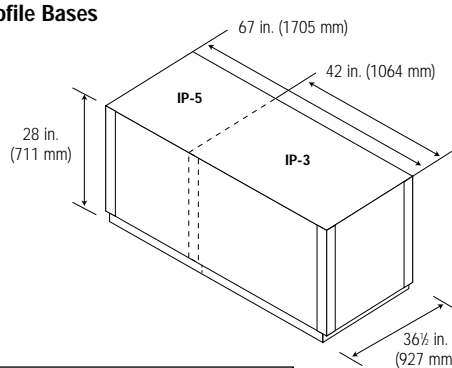
Contact your distributor or Henny Penny for shipping weights that are not shown.

Listings

UL Sanitation

Island Merchandiser Bases

Dimensions



Shipping Weight

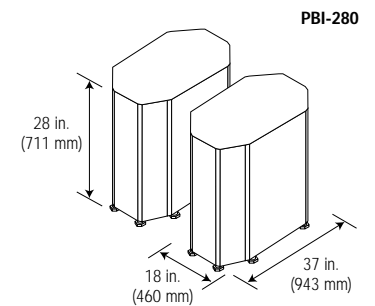
Island Profile Bases	
IP-3	195 lbs. (89 kg)
IP-5	246 lbs. (112 kg)

Contact your distributor or Henny Penny for PBI-280 shipping weight.

Listings

UL Sanitation

Island Pedestal Bases



Note: HMI-103 and HMI-105 require (2) pedestals; Both merchandisers require (1) connector kit (available separately).

Specifications subject to change without notice

Order from:

Manufactured by:

Henny Penny Corporation
P.O. Box 60
Eaton, OH 45320