

Self-Serve Island Merchandisers

HMI-103
Three-Well Island

HMI-105
Five-Well Island

Shown at right:

HMI-103 Island Merchandiser
on PBI-280 Pedestal Base with
stainless steel finish.



Self-Serve Island Merchandisers let you expand your deli out into the store, where shoppers can select pre-packaged, pre-priced items without waiting in line.

Description

Henny Penny Heated Self-Serve Island Merchandisers are designed to hold and display heated food items and/or packaged meals with customer self-service from both sides. Self-Serve Island Merchandisers add flexibility to any hot food program by making it easy and convenient to display hot deli items in meal centers throughout the store.

Configuration

- Bright, attractive self-serve display in three-well and five-well sizes.
- Customer self-serve access from both sides.
- Island Merchandiser Bases available in Profile or Pedestal styles. (See separate data sheet for Merchandiser Bases.)

Main Features

- Hinged glass lifts for easy cleaning.
- Choice of mirrored or clear end glass.
- Bright incandescent lighting.
- Radiant heat over each well, heating elements below self-serve insert.
- Independent controls for upper and lower heat.
- Flush cover panel hides controls.
- Top quality stainless steel and tempered glass construction.
- Protective dual bumpers are available in several colors.
- Cooled landing shelf on both sides for handling convenience.



HMI-105 Island Merchandiser on IP-5 Island Profile Base with standard white panels and stainless steel corner posts.

Henny Penny Corporation

P.O. Box 60
Eaton, OH 45320

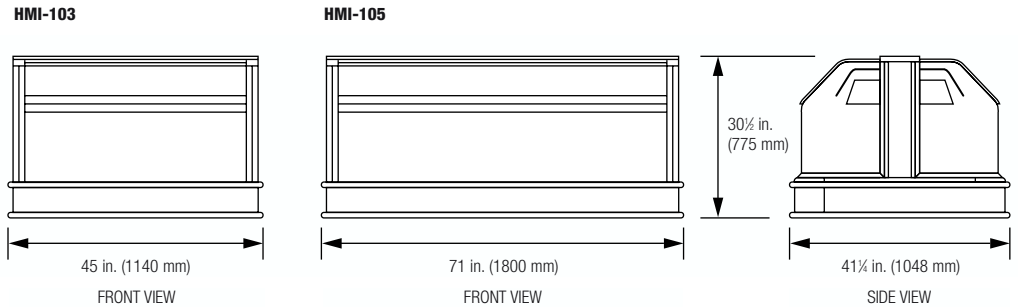
+1 937 456.8400
+1 937 456.8402 Fax

Toll free in USA
800 417.8417
800 417.8402 Fax

www.hennypenny.com

HMI-103 HMI-105 Specifications

Dimensions



HMI-103 Three-Well Island Merchandiser

26 x 37½ in. (664 x 953 mm)

When ordering, please specify insert depth: ¾ in. (10 mm) or 2 in. (51 mm)

(3) full-size and (3) third-size pans
up to 4 in. (102 mm) depth.

(12) coated 60W bulbs

359 lbs. (163 kg)

UL, UL Sanitation, CUL, CE

HMI-105 Five-Well Island Merchandiser

26¼ x 63½ in. (667 x 1616 mm)

(5) full-size and (5) third-size pans
up to 4 in. (102 mm) depth.

(20) coated 60W bulbs

485 lbs. (220 kg)

UL, UL Sanitation, CUL, CE

Self-Serve Area Standard Configuration

Pan Capacity Optional Configuration

Lighting

Shipping Weight

Listings

Electrical

Model	KW	Amps at 1 Phase voltages			Amps at 3 Phase voltages		
		120/208V	120/240V	230V	120V/208V	120/240V	400V
HMI-103	2.4	11.0			8.0		
	2.6		11.0			7.5	
	2.0			8.6			
HMI-105	3.9	18.0			13.0		
	4.2		17.5			12.0	
	3.3						7.8

All units are 50/60 Hz, except 230V and 400V CE units, which are 50 Hz.

Specifications subject to
change without notice

Order from:

Manufactured by:

Henny Penny Corporation
P.O. Box 60
Eaton, OH 45320