

Heated Holding Cabinets

HHC-906
Full Size Institutional

HHC-908
Half Size Institutional

At right: HHC-908 with right hinged door.

Far right: HHC-906 with right hinged doors

Heated Holding Cabinets keep foods hot and tasty for long periods of time before serving. The right holding cabinet can make the difference between what you sell and what you throw away.

Description

Institutional size heated holding cabinets designed to hold foods within proper temperature ranges prior to serving. Additional width, depth and features accommodate high volume and wide variety of institutional menus.

Configuration

HHC-906 and HHC-908 institutional size heated holding cabinets are wider and deeper to handle different pan sizes and orientations. Adjustable racking system provides additional flexibility and utilization.

Please specify desired racking system:

- Standard Henny Penny (adjustable)
- Original Henny Penny (adjustable)
- Euro rack (not adjustable)

See back for details.

Please specify right or left hinged doors. Pass thru or solid back cabinet design available.



Main Features

- Precise thermostatic controls and dial thermometer.
- Easy to see on/off and cycle temperature lights.
- New standard adjustable racking system increases capacity and pan variety.
- Large stainless steel water pan.
- Manual slide vent humidity control.
- Dual heavy duty blower motors.
- Ventilated side racks.
- Partial pan removal for convenient loading and unloading.
- Fully insulated doors, sidewalls and control module.
- Full perimeter door gasket.
- Self-closing, lift-off doors stay open past 90 degrees.
- Magnetic door latch and heavy-duty plated hinges.
- Sturdy aluminum base and permanent center braces for added strength.
- Built-in utility handle included on solid back unit.
- Standard 5 in. (127 mm) casters, two locking.

Henny Penny Corporation

P.O. Box 60
Eaton, OH 45320

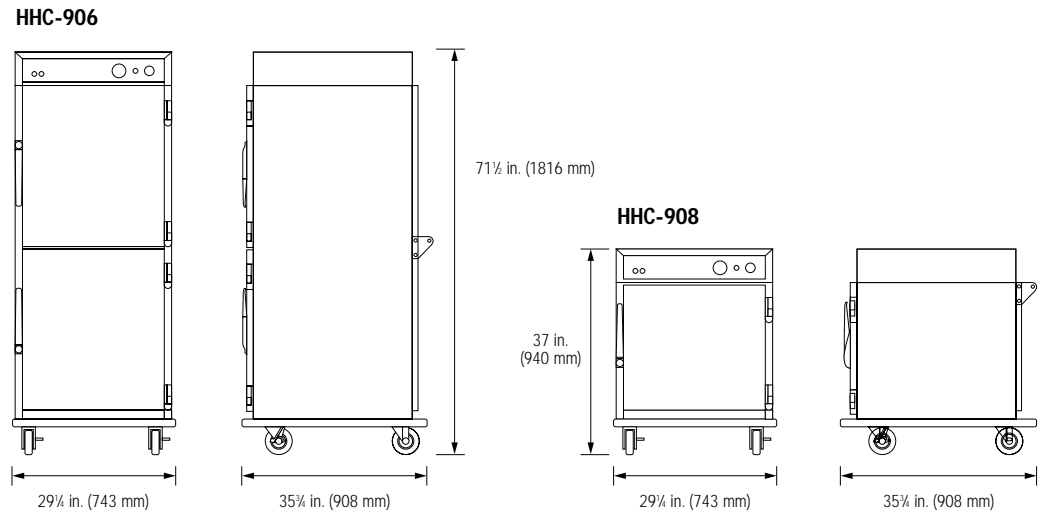
+1 937 456.8400
+1 937 456.8402 Fax

Toll free in USA
800 417.8417
800 417.8402 Fax

www.hennypenny.com

HHC-906 HHC-908 Specifications

Dimensions



Capacity

Adjustable racking for full-size pans up to 6 in. (152 mm) deep

HHC-906 Full Size

HHC-908 Half Size



New Standard
Henny Penny

15 racks

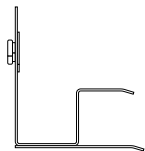
5 racks



Original
Henny Penny

11 racks

4 racks



Euro-Rack

9 racks

3 racks

Heating

160-210°F (71-99°C)

HHC-908

160-210°F (71-99°C)

Water

One gallon water pan

One gallon water pan.

Shipping Weight

444 lbs. (202 kg)

249 lbs. (113 kg)

Listings

UL, NSF, CUL, CE

UL, NSF, CUL, CE

Electrical

Voltage	Phase	Cycle/Hz	KW
120	1	50/60	2.1
230	1	50	1.9/3.1
240	1	50/60	2.1/3.1

Voltage	Phase	Cycle/Hz	KW
120	1	50/60	2.1
230	1	50	1.9/3.1
240	1	50/60	2.1/3.1

All international voltages available

Specifications subject to change without notice

Order from:

Manufactured by:

Henny Penny Corporation

P.O. Box 60
Eaton, OH 45320