

# Heated Holding Cabinets

## HHC-903 Half Size HHC-902 Stacked

At right:  
HHC-903 Electro-mechanical controls,  
right hinged door.

Far right:  
HHC-902 Stacked, with CDT control  
modules, right hinged doors and pass  
thru cabinet design.

*Heated Holding Cabinets keep foods hot and tasty for long periods of time before serving. The right holding cabinet can make the difference between what you sell and what you throw away.*



### Description

Half-size, mobile heated holding cabinet with a single cabinet and manual humidity control. Designed to hold foods within proper temperature ranges prior to serving.

### Configuration

The HHC-902 combines two HHC-903 half-size units into a stacked version for high volume, space-saving flexibility. Either model may be ordered in any combination of the following configurations:

- Count Down Timer control module or electro-mechanical controls.
- Pass-thru or solid back cabinet design.
- Right or left hinged doors.
- Stainless steel or glass doors.

Note that both cabinets forming the stacked unit will be identical with regard to these specifications. Unit is completely assembled at the factory.

### Main Features

- Electro-mechanical controls feature thermostatic control, dial thermometer, on/off and cycle temperature lights.
- Count down timer module features 5 independent programmable timers (10 total for HHC-902) with:
  - Single switch start/stop/abort, manual override and power-out memory.
  - Constant digital temperature display.
  - Separate operating time and temperature set points.
  - Sound alert signal.
  - Food probe calibration.
- Manual slide vent humidity control.
- Dual heavy-duty blower motors.
- Ventilated side racks.
- Optional large stainless steel water pan.
- Partial pan removal for convenient loading and unloading.
- Fully insulated doors, sidewalls and control module.
- Full perimeter door gasket.
- Self-closing, lift-off doors stay open past 90 degrees.
- Magnetic door latch and heavy-duty plated hinges.
- Standard 5 in. (127 mm) casters, two locking.

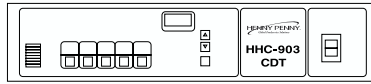
**Henny Penny Corporation**  
P.O. Box 60  
Eaton, OH 45320

+1 937 456.8400  
+1 937 456.8402 Fax

**Toll free in USA**  
**800 417.8417**  
**800 417.8402 Fax**

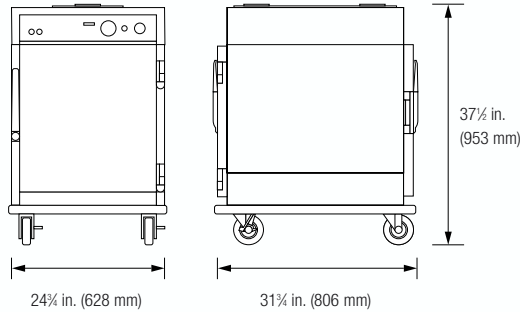
[www.hennypenny.com](http://www.hennypenny.com)

# HHC-903 HHC-902 Specifications



CDT Control Module for the HHC-903 features 5 individual count down timers.

## HHC-903



## HHC-903

5 bun pans 18 x 26 in. (457 x 660 mm) on 3 3/4 in. (95 mm centers)

160-210°F (71-99°C)

One gallon water pan

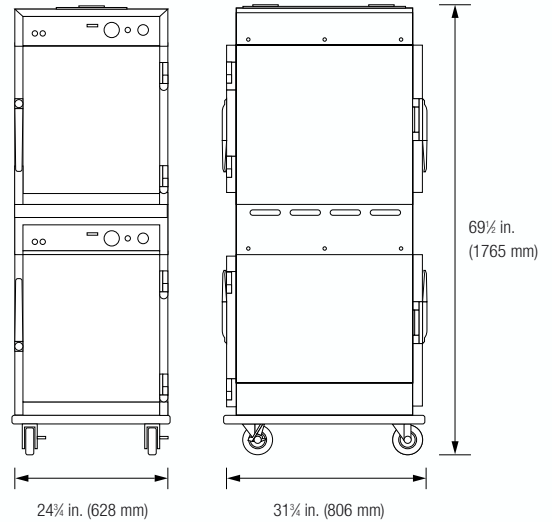
206 lbs. (94 kg)

UL, NSF, CUL, CE

Control	Voltage	Phase	Cycle/Hz	KW
<b>EM</b>	100	1	50/60	1.40
	120	1	50/60	1.60
	230	1	50	1.35
	240	1	50/60	1.60
<b>CDT</b>	100	1	50/60	1.40
	120	1	50/60	1.60
	208	1	50/60	1.35
	230	1	50	1.35
	240	1	50/60	1.60

All international voltages available

## HHC-902



## HHC-902

10 bun pans 18 x 26 in. (457 x 660 mm) on 3 3/4 in. (95 mm centers), 5 each cabinet.

160-210°F (71-99°C)

(2) One gallon water pans, one each cabinet.

418 lbs. (190 kg)

UL, NSF, CUL, CE

Each cabinet in the HHC-902 operates independently. Electrical specifications at left apply per cabinet.

### Dimensions

### Capacity

### Heating

### Water

### Shipping Weight

### Listings

### Electrical

Specifications subject to change without notice

### Order from:

Manufactured by:

**Henny Penny Corporation**  
P.O. Box 60  
Eaton, OH 45320