

# S-Series 600 Ice Cube Machine



**Manitowoc**



S-Series 600  
Ice Machine on B-570 Bin

- 
- SANITATION**  
We've made it simple to clean
  - SAVINGS**  
The perfect balance of power and efficiency
  - SOUND**  
Designed to run whisper-quiet
  - SERVICEABILITY**  
Easy access means less downtime
- 

- Up to 650 lbs. (295 kgs.) daily ice production
- Only 30" (76.20 cm) wide
- Removable water distribution tube with no tools
- Food zone designed with soft, round, cove corners
- Patented cleaning and sanitizing technology
- Select components made with AlphaSan® antimicrobial

- Hinged front door for easy access
- Warranty  
5-year parts and 5-year labor coverage on ice machine evaporator  
5-year parts and 3-year labor coverage on ice machine compressor  
3-year parts-and-labor coverage on all other ice machine, dispenser, and storage bin components



ISO 9001:2000  
Quality System  
Certified

**America's #1 Selling Ice Machine**

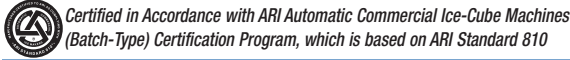
Ice Cube & Flake Machines • Ice Storage Bins • Ice Dispensers

**Manitowoc**  
Foodservice Group

# Manitowoc S-Series 600

Model	Cube size	Ice production 24 hours		Power kWh/100 lbs.
		lbs.	kgs.	
SD-0602A	dice	540	245	5.6
SD-0603W	dice	610	277	4.5
SY-0604A	half-dice	540	245	5.6
SY-0605W	half-dice	610	277	4.5
REMOTE AIR-COOLED WITH JC-0895A CONDENSER				
SD-0692N	dice	570	259	5.9
SY-0694N	half-dice	570	259	5.9
Water usage/100 lbs./45.4 kgs. of ice				
Potable Water: 20 gallons, 76 liters • Water-cooled Condenser: 170 gallons, 643 liters				

Order ice storage bin separately. "A" or "W" following model number indicates "Air" or "Water" condensing unit. Ice storage bin and JC-0895A remote condenser must be ordered separately. Consult remote condenser specification sheet for details.



## Ice Machine Electric

208-230/60/1 standard. (230/50/1 also available.)

**Min. circuit ampacity:** Air-cooled — 8.3 amps  
Water-cooled — 7.9 amps  
Remote — 8.9 amps

**Max. fuse size:** Air-cooled, Water-cooled, Remote — 15 amps  
HACR-type circuit breakers can be used in place of fuses.

## Specifications

**BTU Per Hour:**  
9,000 (average) 13,900 (peak)

**Compressor:**  
Nominal rating: 1 HP

**Cupra-Nickel Condenser:**  
(Water-cooled models)  
Adds protection from corrosive water elements.

**Operating Limits:**

- Ambient Temperature Range:  
Air and water: 35° to 110°F (1.6° to 43.3°C)  
Remote: -20° to 120°F (-29° to 49°C)

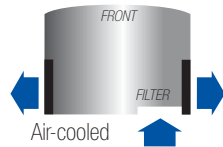
- Water Temperature Range:  
35° to 90°F (1.6° to 32.2°C)

- Water Pressure Ice Maker Water In:  
Min. 20 psi (137.9 kPa)  
Max. 80 psi (551.1 kPa)

- Condenser Inlet Water In:  
(Water-cooled only)  
Min. 20 psi (137.9 kPa)  
Max. 150 psi (1,034.2 kPa)



## Air Flow Top View



## AuCS@SI Accessory



Automatic Cleaning System purchased factory installed in the machine or as an option for field retrofit.

## 2 Cube Sizes Available

**Half Dice**  
3/8" x 1 1/8" x 7/8"  
(.95 x 2.86 x 2.22 cm)

**Dice**  
7/8" x 7/8" x 7/8"  
(2.22 x 2.22 x 2.22 cm)

24-HOUR PRODUCTION †										lbs. kgs.	
AIR-COOLED UNIT				WATER-COOLED UNIT				REMOTE AIR-COOLED UNIT			
air temp		water temp		air temp		water temp		air temp		water temp	
°F	50°	70°	90°	°F	50°	70°	90°	°F	50°	70°	90°
°C	10°	21°	32°	°C	10°	21°	32°	°C	10°	21°	32°
70°	650	600	560	70°	650	630	590	-20° to 70°	630	580	550
21°	295	272	254	21°	295	286	268	-29° to 21°	286	263	249
80°	640	580	550	80°	640	620	580	90°	620	570	530
27°	290	263	249	27°	290	281	263	32°	281	259	240
90°	590	540	510	90°	630	610	580	100°	580	530	500
32°	268	245	231	32°	286	277	263	38°	263	240	227

†Production for Dice and Half Dice cubes. Data is published for 60 Hz machines. 50 Hz machines produce approximately 7% less ice.

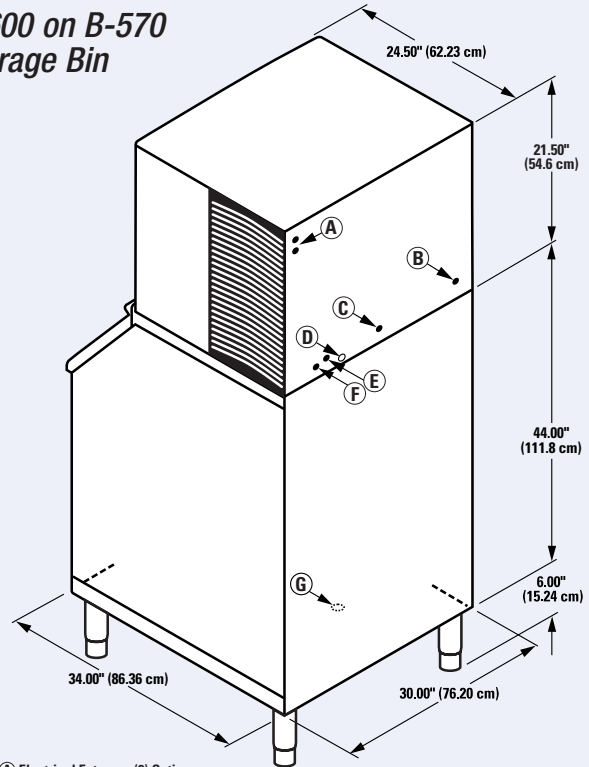
## Space-Saving Designs



	S-600 B-400	S-600 B-570
Height	59.50" 151.13 cm	71.50" 181.61 cm
Width	30.00" 76.20 cm	30.00" 76.20 cm
Depth	34.00" 86.30 cm	34.00" 86.30 cm
Bin Storage	290 lbs. 131.7 kgs.	430 lbs. 195 kgs.

Height includes adjustable bin legs 6.00" to 8.00" (15.24 to 20.32 cm) set at 6.00" (15.24 cm). For comparison purposes, multiply ARI capacity by 1.3 (30%) to arrive at approximate "Application Rating Capacity."

## S-600 on B-570 Storage Bin



- (A) Electrical Entrance (2) Options
- (B) 3/8" (0.95 cm) F.P.T. Water Condenser Inlet (water-cooled units)
- (C) 1/2" (1.27 cm) F.P.T. Water Condenser Outlet (water-cooled units)
- (D) 1/2" (1.27 cm) Auxiliary Base Drain Socket
- (E) 3/8" (0.95 cm) F.P.T. Ice Making Water Inlet
- (F) 1/2" (1.27 cm) F.P.T. Ice Making Water Drain
- (G) 3/4" (1.91 cm) Bin Drain

©2015 Manitowoc 4/05 Continuing product improvement may necessitate change of specifications without notice. 3021B

## Installation Note -

Minimum installation clearance— Top/sides: 8" (20.32 cm); Back: 5" (12.7 cm).



MANITOWOC ICE, INC.  
2110 South 26th Street, P.O. Box 1720  
Manitowoc, WI 54221-1720, USA  
Ph: 920-682-0161 • Fax: 920-683-7589  
Visit us online at [www.manitowocice.com](http://www.manitowocice.com)

