

# S-Series 422 Ice Cube Machine



**NEW**



S-Series 422  
Ice Machine on B-420 Bin

- SANITATION**  
We've made it simple to clean
- SAVINGS**  
The perfect balance of power and efficiency
- SOUND**  
Designed to run whisper-quiet
- SERVICEABILITY**  
Easy access means less downtime

- Up to 450 lbs. (204 kgs.) daily ice production
- Only 22" (55.88 cm) wide
- Removable water distribution tube with no tools
- Food zone designed with soft, round, cove corners
- Patented cleaning and sanitizing technology
- Select components made with AlphaSan® antimicrobial

- Hinged front door for easy access
- Warranty  
5-year parts and 5-year labor coverage on ice machine evaporator  
5-year parts and 3-year labor coverage on ice machine compressor  
3-year parts-and-labor coverage on all other ice machine, dispenser, and storage bin components



ISO 9001  
Quality System  
Certified

**America's #1 Selling Ice Machine**

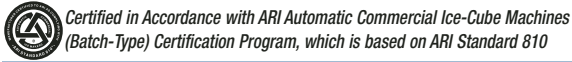
Ice Cube & Flake Machines • Ice Storage Bins • Ice Dispensers

**Manitowoc**  
Foodservice Group

# Manitowoc S-Series 422

Model	Cube size	Ice production 24 hours		Power kWh/100 lbs.
		lbs.	kgs.	
SD-0422A	dice	380	173	7.3
SD-0423W	dice	420	191	6.1
SY-0424A	half-dice	380	173	7.3
SY-0425W	half-dice	420	191	6.1
Water usage/100 lbs./45.4 kgs. of Ice				
Potable Water: 18 gallons, 68 liters • Water-cooled Condenser: 153 gallons, 579 liters				

Order ice storage bin separately. "A" or "W" following model number indicates "Air" or "Water" condensing unit.



## Ice Machine Electric

115/60/1 standard. (208-230/60/1 and 230/50/1 also available.)

**Min. circuit ampacity:** Air-cooled: 13.6 amps  
Water-cooled: 12.9 amps

**Max. fuse size:** Air-cooled and Water-cooled: 20 amps  
HACR-type circuit breakers can be used in place of fuses.

## Specifications

**BTU Per Hour:**  
7,000 (average) 9,600 (peak)

**Compressor:**  
Nominal rating: 3/4 HP

**Cupra-Nickel Condenser:**  
(Water-cooled models)  
Adds protection from  
corrosive water elements.

**Operating Limits:**  
• Ambient Temperature Range:  
Air and water:  
35° to 110°F (1.6° to 43.3°C)

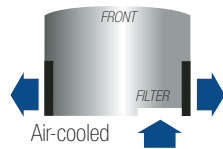
• Water Temperature Range:  
35° to 90°F (1.6° to 32.2°C)

• Water Pressure Ice Maker  
Water In:  
Min. 20 psi (137.9 kPa)  
Max. 80 psi (551.1 kPa)

• Condenser Inlet Water In:  
(Water-cooled only)  
Min. 20 psi (137.9 kPa)  
Max. 150 psi (1,034.2 kPa)



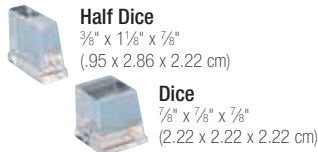
## Air Flow Top View



## AuCS®50 Accessory

Automatic Cleaning System purchased as an option and installed in the field.

## 2 Cube Sizes Available



24-HOUR PRODUCTION †						lbs. kgs.	
AIR-COOLED UNIT			WATER-COOLED UNIT				
air temp	water temp		air temp	water temp			
°F	50°	70°	90°	°F	50°	70°	90°
°C	10°	21°	32°	°C	10°	21°	32°
70°	450	420	390	70°	470	440	400
21°	204	191	177	21°	213	200	181
80°	430	400	370	80°	460	430	390
27°	195	181	168	27°	209	195	177
90°	410	380	350	90°	450	420	380
32°	186	173	159	32°	204	191	172

†Production for dice and half dice cubes. Data is published for 60 Hz machines. 50 Hz machines produce approximately 7% less ice.

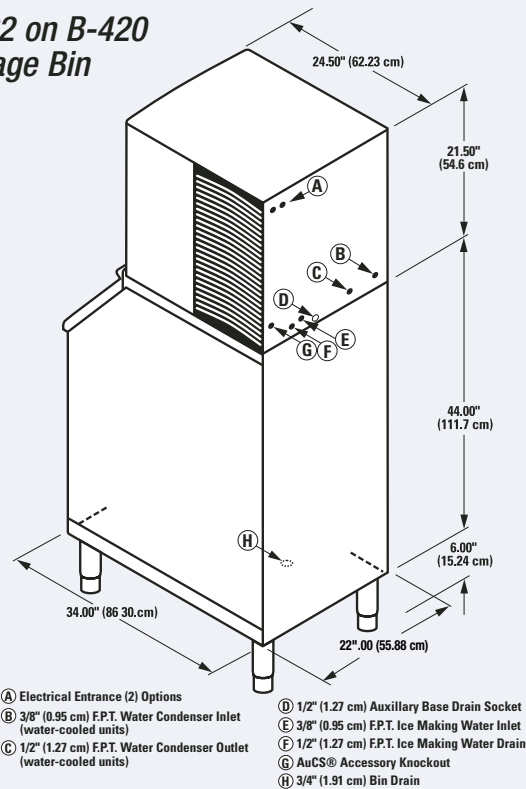
## Space-Saving Designs



	S-422 B-420	S-422 B-400*
Height	76.50" 194.31 cm	64.50" 163.83 cm
Width	22.00" 55.88 cm	30.00" 76.20 cm
Depth	34.00" 86.30 cm	34.00" 86.30 cm
Bin Storage	310 lbs. 140.7 kgs.	290 lbs. 131.7 kgs.

Height includes adjustable bin legs 6.00" to 7.00", (15.24 to 17.78 cm) set at 6.00" (15.24 cm). For comparison purposes multiply ARI capacity by 1.3 (30%) to arrive at approximate "Application Rating Capacity."  
\* K-00141 bin adapter required.

## S-422 on B-420 Storage Bin



**Installation Note** - Minimum installation clearance—Top: 12" (30.48 cm); Sides: 8" (20.32 cm); Back: 5" (12.7 cm).

©2015 Manitowoc. 2105 Continuing product improvement may necessitate change of specifications without notice. 2979A



MANITOWOC ICE, INC.  
2110 South 26th Street, P.O. Box 1720  
Manitowoc, WI 54221-1720, USA  
Ph: 920-682-0161 • Fax: 920-683-7589  
Visit us online at [www.manitowocice.com](http://www.manitowocice.com)

