

S-Series 1600 Ice Cube Machine



Manitowoc



S-Series 1600
Ice Machine on B-970 Bin

- SANITATION**
We've made it simple to clean
- SAVINGS**
The perfect balance of power and efficiency
- SOUND**
Designed to run whisper-quiet
- SERVICEABILITY**
Easy access means less downtime

- Up to 1,690 lbs. (767 kgs.) daily ice production
- Removeable water distribution tube requires no tools to remove
- Food zone designed with soft rounded corners
- Patented cleaning and sanitizing technology
- Select components compounded with AlphaSan® antimicrobial
- Patented ice harvest technology reduces energy requirements
- Hinged front door for easy access
- R-404A CFC-free refrigerant
- Warranty
5-year parts and 5-year labor coverage on ice machine evaporator
5-year parts and 3-year labor coverage on ice machine compressor
3-year parts-and-labor coverage on all other ice machine, dispenser, and storage bin components



ISO 9001:2000
Quality System
Certified

America's #1 Selling Ice Machine

Ice Cube & Flake Machines • Ice Storage Bins • Ice Dispensers

Manitowoc
Foodservice Group

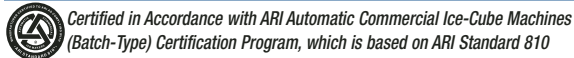
Manitowoc S-Series 1600

Model	Cube size	Ice production 24 hours		Power kWh/100 lbs.
		lbs.	kgs.	
SD-1602A	dice	1,370	621	5.2
SD-1603W	dice	1,480	671	4.2
SY-1604A	half-dice	1,370	621	5.2
SY-1605W	half-dice	1,480	671	4.2
REMOTE AIR-COOLED WITH JC-1395A CONDENSER				
SD-1692N	dice	1,420	644	4.8
SY-1694N	half-dice	1,420	644	4.8

Water usage/100 lbs./45.4 kgs. of ice

Potable Water: 18 gallons, 68.1 liters • Water-cooled Condenser: 155 gallons, 586.7 liters

Order ice storage bin separately. "A" or "W" following model number indicates "Air" or "Water" condensing unit. Ice storage bin and JC-1395 remote condenser must be ordered separately. Consult remote condenser specification sheet for details. To order 3 phase add "3" suffix to model # (SD-1602A3).



Certified in Accordance with ARI Automatic Commercial Ice-Cube Machines (Batch-Type) Certification Program, which is based on ARI Standard 810

Ice Machine Electric

208-230/60/1 standard. (208-230/60/3 and 230/50/1 also available.)

Min. circuit ampacity: Air-cooled: 19.8 1ph 13.5 3ph
 Water-cooled: 18.4 1ph 12.1 3ph
 Remote: 19.4 1ph 13.1 3ph

Max. fuse size: Air-cooled, Water-cooled, Remote: 30 amps 1ph
 20 amps 3ph

HACR-type circuit breakers can be used in place of fuses.

Specifications

BTU Per Hour:

21,000 (average) 31,000 (peak)

Compressor:

Nominal rating: 2.5 HP

Cupra-Nickel Condenser:

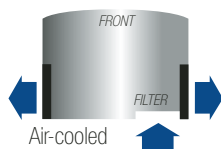
(Water-cooled models)
 Adds protection from corrosive water elements.

Operating Limits:

- Ambient Temperature Range:
 Air and water: 35° to 110°F (1.67° to 43.3°C)
 Remote: -20° to 120°F (-29° to 49°C)
- Water Temperature Range:
 35° to 90°F (1.67° to 32.2°C)
- Water Pressure Ice Maker Water In:
 Min. 20 psi (137.9 kPa)
 Max. 80 psi (551.1 kPa)
- Condenser Inlet Water In:
 (Water-cooled only)
 Min. 20 psi (137.9 kPa)
 Max. 150 psi (1,034.2 kPa)



Air Flow Top View



AuCS®SI Accessory



Automatic Cleaning System purchased factory installed in the machine or as an option for field retrofit.

2 Cube Sizes Available



Half Dice
 $\frac{3}{8}$ " x $1\frac{1}{8}$ " x $\frac{7}{8}$ "
 (.95 x 2.86 x 2.22 cm)



Dice
 $\frac{1}{6}$ " x $\frac{7}{8}$ " x $\frac{7}{8}$ "
 (2.22 x 2.22 x 2.22 cm)

24-HOUR PRODUCTION †										lbs.	kgs.
AIR-COOLED UNIT				WATER-COOLED UNIT				REMOTE AIR-COOLED UNIT			
air temp	water temp			air temp	water temp			air temp	water temp		
°F	50°	70°	90°	°F	50°	70°	90°	°F	50°	70°	90°
°C	10°	21°	32°	°C	10°	21°	32°	°C	10°	21°	32°
70°	1,690	1,540	1,480	70°	1,660	1,510	1,350	-20° to 70°	1,570	1,470	1,350
21°	767	699	671	21°	753	685	612	-29° to 21°	712	667	612
80°	1,630	1,460	1,380	80°	1,610	1,500	1,320	90°	1,520	1,420	1,290
27°	739	662	626	27°	730	680	599	32°	689	644	585
90°	1,490	1,370	1,370	90°	1,600	1,480	1,310	100°	1,420	1,300	1,220
32°	676	621	621	32°	726	671	594	38°	644	590	553

†Production for Dice and Half Dice cubes. Data is published for 60 Hz machines. 50 Hz machines produce approximately 7% less ice.

Space-Saving Designs

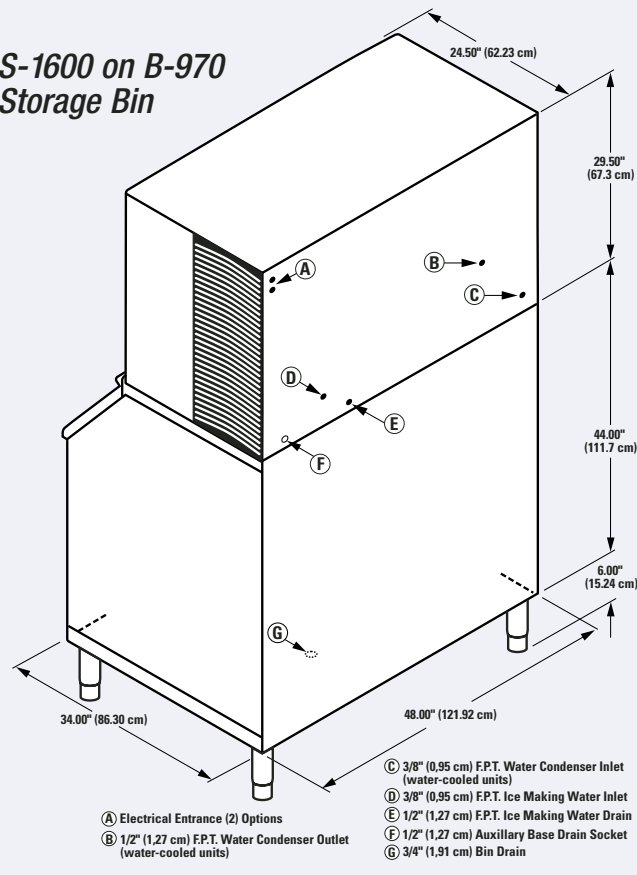
S-1600
B-970



Height	79.50" 201.90 cm
Width	48.00" 121.92 cm
Depth	34.00" 86.30 cm
Bin Storage	710 lbs. 322.2 kgs.

Height includes adjustable bin legs 6.00" to 7.00" (15.24 to 17.78 cm) set at 6.00" (15.24 cm). For comparison purposes multiply ARI capacity by 1.3 (30%) to arrive at approximate "Application Rating Capacity."

S-1600 on B-970 Storage Bin



Installation Note - Minimum Installation Clearance:

Water and remote units—Top/Sides: 8" (20.32 cm); Back: 5" (12.7 cm).
 Air-cooled units—Top/Sides: 24" (60.96 cm); Back: 12" (30.48 cm).



MANITOWOC ICE, INC.
 2110 South 26th Street, P.O. Box 1720
 Manitowoc, WI 54221-1720, USA
 Ph: 920-682-0161 • Fax: 920-683-7589
 Visit us online at www.manitowocice.com

