

Q-Model Series 270 Ice Cube Machine



Q-Model Series 270

- Up to 290* lbs. (132 kgs.) daily ice production
**Production rating outside the scope of ARI Standard 820.*
- Only 30" (76.2 cm) wide, 28.16" (71.52 cm) deep, and 38.50" (97.79 cm) high on 6" (15.24 cm) legs
- 100 lb. (45.45 kg) ice storage capacity
- Slide up and in bin door tucks under ice machine top cover. Patented ice damper maximizes ice storage capacity
- Stainless steel exterior with the fit and finish of an appliance
- Patented cleaning and sanitizing technology
- R-404A CFC-free refrigerant
- Warranty
 - 5-year parts and 5-year labor coverage on ice machine evaporator
 - 5-year parts and 3-year labor coverage on ice machine compressor
 - 3-year parts-and-labor coverage on all other components



America's #1 Selling Ice Machine


Ice Cube & Flake Machines • Ice Storage Bins • Ice Dispensers

Manitowoc
Foodservice Group

Manitowoc Q-Model 270 Series

Model	Cube size	Ice production 24 hours		Power kWh/100 lbs.
		lbs.	kgs.	
QD-0272A	dice	215	98	9.0
QD-0273W	dice	245	111	7.3
QY-0274A	half-dice	215	98	9.0
QY-0275W	half-dice	245	111	7.3
Water usage/100 lbs./45.4 kgs. of ice				
Potable Water: 33.5 gallons, 127 liters • Water-cooled Condenser: 167 gallons, 632 liters				

A or *W* following model number indicates "Air" or "Water" condensing unit.

 **Certified in Accordance with ARI Ice Storage Bins Certification Program, which is based on ARI Standard 820**

Ice Machine Electric

115/60/1, (208-230/60/1 and 230/50/1 also available.) 115/60/1 ice machines are factory pre-wired with a 6' (180 cm) power cord and NEMA 5-15P-plug configuration. 208-230/60/1 ice machines are factory pre-wired with a 6' (180 cm) power cord only, no plug is supplied.

Total Amps:

Air-cooled — 8.5 amps. Water-cooled — 7.7 amps.

Maximum fuse size:

Air and Water-cooled — 15 amps.

HACR-type circuit breakers can be used in place of fuses.

Specifications

BTU Per Hour:

3,800 (average) 6,000 (peak)

Compressor:

Nominal rating: 1/3 HP

Cupra-Nickel Condenser:

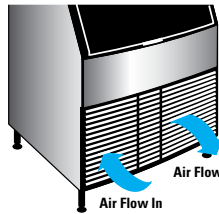
(Water-cooled models)
Adds protection from corrosive water elements.

Operating Limits:

- Ambient Temperature Range: 35° to 110°F (1.7° to 43.3°C)
- Water Temperature Range: 33° to 90°F (0.6° to 32.2°C)
- Water Pressure Ice Maker Water In: Min. 20 psi (137.9 kPa) Max. 80 psi (551.1 kPa)
- Condenser Inlet Water In: (Water cooled only) Min. 20 psi (137.9 kPa) Max. 150 psi (1,034.2 kPa)



Air Flow Front View



Air in left, air out right, no side vents.

Air Filter



Slides out from left side front without tools, easy to clean, reusable filter protects condenser from lint, grease and dust.

2 Cube Sizes Available



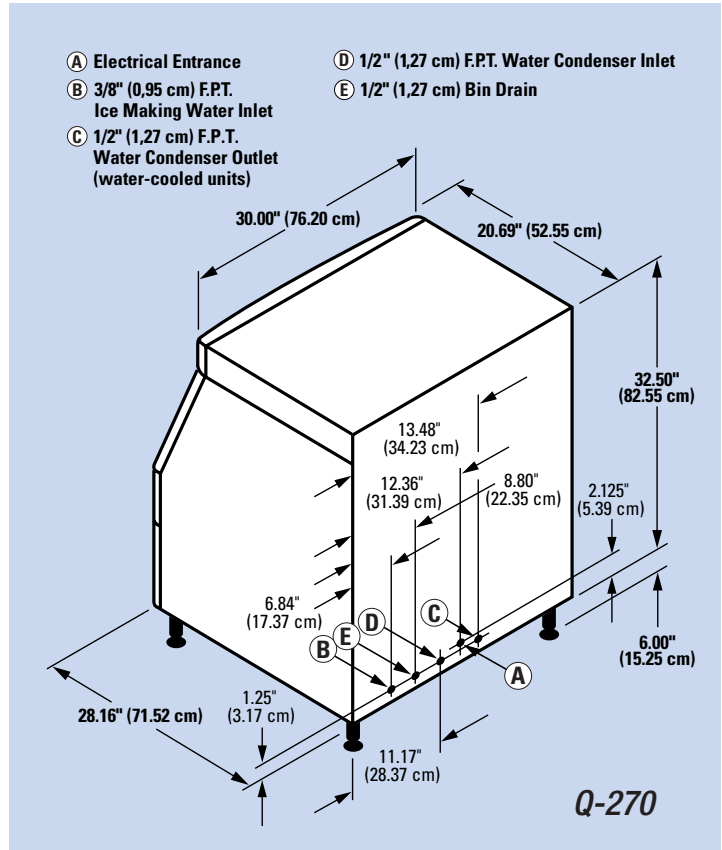
Half Dice
3/8" x 1 1/8" x 7/8"
(.95 x 2.86 x 2.22 cm)



Dice
7/8" x 7/8" x 7/8"
(2.22 x 2.22 x 2.22 cm)

24-HOUR PRODUCTION †						lbs. kgs.	
AIR-COOLED UNIT			WATER-COOLED UNIT				
air temp	water temp		air temp	water temp			
°F	50°	70°	90°	°F	50°	70°	90°
°C	10°	21°	32°	°C	10°	21°	32°
70°	280	245	220	70°	290	255	235
21°	127	111	100	21°	132	116	107
80°	275	240	215	80°	285	250	230
27°	125	109	98	27°	130	114	105
90°	250	215	190	90°	280	245	225
32°	114	98	86	32°	127	111	102

†Production for Dice and Half Dice cubes.

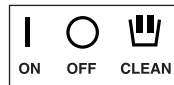


©2014 Manitowoc 2824 - 11/04. Continuing product improvement may necessitate change of specifications without notice.

Installation Note - There is no minimum clearance required, however recommended clearance for top, sides, and back is 5" (12.7 cm).

Front Access

Initiate ice, off and clean operations with simple upfront selector switch. No need to remove front panel.



MANITOWOC ICE, INC.
2110 South 26th Street, P.O. Box 1720
Manitowoc, WI 54221-1720, USA
Ph: 920-682-0161 • Fax: 920-683-7589
Visit us online at www.manitowocice.com

