

Q-Model Series 700/800 Chiplet/Flake Ice Machine



Manitowoc
Ziegra



Flake



Chiplet

Q-Model Series 700/800
Chiplet/Flake Ice Machine
on S-420 Bin



- Two types of ice to choose from - flake and chiplet. Flake ice produces up to 780 lbs. (354 kgs.) daily ice production; Chiplet produces up to 710 lbs. (322 kgs.).
- Only 22" (55.88 cm) wide cabinet.
- Split collar evaporator support with shaft coupling ensures longer water seal and bearing life.
- Patented cleaning technology.
- Evaporator drain valve makes unit easier to clean; improves sanitation; and requires less maintenance.
- Q-Model styling displays a stainless steel exterior with the fit and finish of an appliance.
- Warranty 2-year parts and labor coverage on all components. Additional 3-year (5-year total) parts coverage on ice machine compressor.



ISO 9001:2000
Quality System Certified

America's #1 Selling Ice Machine

Ice Cube & Flake Machines • Ice Storage Bins • Ice Dispensers

Manitowoc
Foodservice Group

Manitowoc Series 700/800 Chiplet/Flake Ice Machine

Space-Saving Designs



	QC-700 or QF-800 S-420	QC-700 or QF-800 S-400*
Height	76.50" 194.31 cm	64.50" 163.83 cm
Width	22.00" 55.88 cm	30.00" 76.20 cm
Depth	34.00" 86.30 cm	34.00" 86.30 cm
Bin Storage	310 lbs. 140.7 kgs.	290 lbs. 131.7 kgs.

*S-400 bin requires K-00141 adapter. Height includes adjustable bin legs 6.00" to 7.00", (15.24 to 17.78 cm) set at 6.00" (15.24 cm). Additional ice storage bin combinations available, consult factory.

Model*	Ice shape	Ice production 24 hours Based on Air/Water Temp.				Power kWh/100 lbs.
		70°/50°F		90°/70°F		
QC-0708A	chiplet	710 lbs.	322 kgs.	710 lbs.	322 kgs.	5.0
QC-0709W	chiplet	710 lbs.	322 kgs.	695 lbs.	316 kgs.	4.1
QF-0806A	flake	760 lbs.	345 kgs.	740 lbs.	336 kgs.	4.9
QF-0807W	flake	780 lbs.	354 kgs.	760 lbs.	345 kgs.	4.0
Water usage/100 lbs./45.4 kgs. of ice						
Potable Water: 12 gallons, 45.4 liters						
Water-cooled Condenser: 215 gallons, 814 liters						

Order ice storage bin separately. "A" or "W" following model number indicates "Air" or "Water" condensing unit. *Will not accept AuCS accessory.

Test conditions are 90°F/32°C air, 70°F/21°C water, and 30 ± 3 psig water inlet pressure.

Ice Machine Electric

115/60/1. (208-230/60/1 and 230/50/1 also available, consult factory.)

Minimum circuit ampacity: Air-cooled: 19.9 amps
Water-cooled: 19 amps

Maximum fuse size: Air and Water-cooled: 30 amps

HACR-type circuit breakers can be used in place of fuses.

Specifications

BTU Per Hour:
7,800 (average) 9,600 (peak)

Compressor:
Nominal rating: 1 HP
Refrigerant: R404A

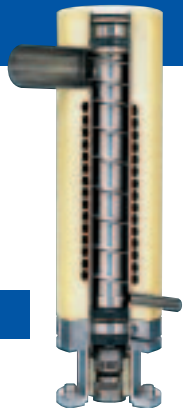
Cupra-Nickel Condenser:
(Water-cooled models)
Adds protection from
corrosive water elements.

Operating Limits:

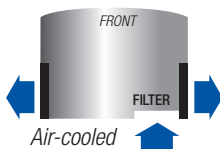
- Ambient Temperature Range:
45°-110°F (7.2°-43.3°C)
- Water Temperature Range:
45°-90°F (7.2°-32.2°C)
- Water Pressure Ice Maker
Water In:
Min. 20 psi (137.9 kPa)
Max. 80 psi (551.1 kPa)

Stainless Steel Evaporator

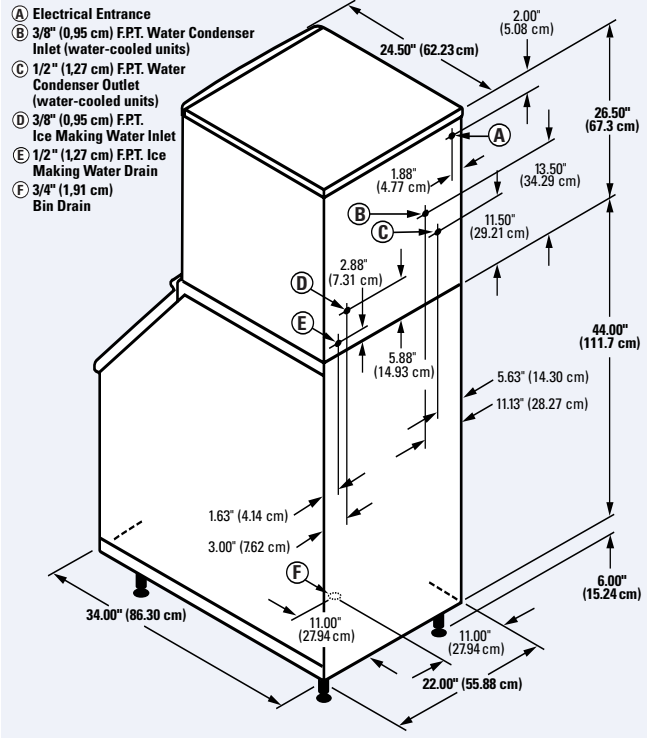
Heavy-duty, precision-machined, stainless steel evaporator has three times the industry standard wall thickness for high strength and durability.



Air Flow Top View



QC-700 or QF-800 on S-420 Storage Bin



Installation Note - Minimum Installation Clearance: Top/Sides are 8" (20.32 cm), Back is 5" (12.7 cm).

Two Types of Ice



Flake



Chiplet

Flake ice is small, hard bits of ice.
Chiplets are larger, irregular shapes of hard compacted flake ice with an approximate ice size of 3/4" x 3/4" x 3/16" (1.90 x 1.90 x .48 cm).



MANITOWOC ICE, INC.
2110 South 26th Street, P.O. Box 1720
Manitowoc, WI 54221-1720, USA
Ph: 920-682-0161 • Fax: 920-683-7589
Visit us online at www.manitowocice.com

