

# Q-Model Series 2300 Remote Flake Ice Machine



**Manitowoc**  
**Ziegara**



Q-Model Series 2300  
Remote Flake Ice Machine



- Flake ice produces up to 2,150 lbs. (975 kgs.) daily ice production.
- 30" (76.20 cm) wide cabinet.
- Split collar evaporator support with shaft coupling ensures longer water seal and bearing life.
- Evaporator drain valve makes unit easier to clean; improves sanitation; and requires less maintenance.
- Patented cleaning technology.
- Q-Model styling displays a stainless steel exterior with the fit and finish of an appliance.
- Warranty  
2-year parts and labor coverage on all components. Additional 3-year (5-year total) parts coverage on ice machine compressor.



ISO 9001:2000  
Quality System Certified

**America's #1 Selling Ice Machine**

Ice Cube & Flake Machines • Ice Storage Bins • Ice Dispensers

**Manitowoc**  
Foodservice Group

# Manitowoc Series 2300 Flake Ice Machine

## Remote Flake Ice Machine

### Space-Saving Designs



	QF-2300 S-570	QF-2300 S-970	
Height	79.50" 201.90 cm	79.50" 201.90 cm	*S-970 bin requires K-00140 adapter. Height includes adjustable bin legs 6.00" to 7.00", (15.24 to 17.78 cm) set at 6.00" (15.24 cm).
Width	30.00" 76.20 cm	48.00" 121.92 cm	
Depth	34.00" 86.30 cm	34.00" 86.30 cm	
Bin Storage	430 lbs. 195 kgs.	710 lbs. 322.2 kgs.	

Model*	Ice shape	Ice production 24 hours Based on Air/Water Temp.				Power kWh/100 lbs.
		70°/50°F		90°/70°F		
QF-2396N	flake	2,150 lbs.	975 kgs.	1,750 lbs.	795 kgs.	3.6

Water usage/100 lbs./45.4 kgs. of Ice • Potable Water: 12 gallons, 45.4 liters

Order ice storage bin separately.  
\*Will not accept AucS accessory. Test conditions are 90°F/32°C air, 70°F/21°C water, and 30 ± 3 psig water inlet pressure.

### Ice Machine Electric

115/60/1.

#### Minimum circuit ampacity:

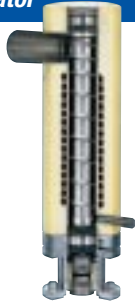
Remote flaker head section: 5.5 amps

#### Maximum fuse size: 15 amps

HACR-type circuit breakers can be used in place of fuses. The ice machine and condensing unit are powered independently of each other except for a control wire.

### Stainless Steel Evaporator

Heavy-duty, precision-machined, stainless steel evaporator has three times the industry standard wall thickness for high strength and durability.



### Specifications

#### BTU Per Hour:

15,800 (average) 18,200 (peak)

#### Compressor: Nominal rating: 3 HP

#### Refrigerant: R404A

#### Operating Limits:

- Ambient Temperature Range: 45° - 110°F (7.2° - 43.3°C)

- Water Temperature Range: 35° - 90°F (1.7° - 32.2°C)

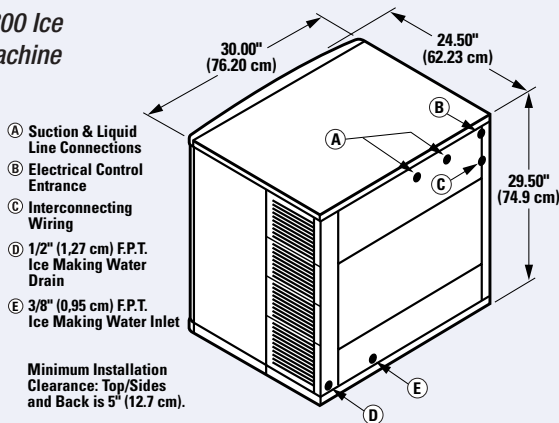
- Water Pressure Ice Maker Water In: Min. 20 psi (137.9 kPa) Max. 80 psi (551.1 kPa)

### Flake Ice

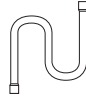
Flake ice is small, hard bits of ice.



### 2300 Ice Machine



## RFC-2385 Remote Condensing Unit



### Installation Information and Dimensions:

Maximum Line Length—100' (30.5 m).\*

Maximum Vertical Rise\*—35' (10.7 m) above ice machine.

Maximum Vertical Drop—15' (4.5 m) below ice machine.

\*A rise over 20' (6 m) requires S-Trap Kit K-00166 - ordered separately.

### Condensing Unit Electric

208-230/60/1 standard. (208-230/60/3 also available.) HACR-type circuit breakers can be used in place of fuses.

**Note:** Condensing unit is 208-230/60/1 or 208-230/60/3 and wired independent of ice machine.

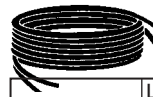
**Minimum circuit ampacity:** 18.5 1ph, 12.8 3ph

**Maximum fuse size:** 30 amps 1ph, 20 amps 3ph

HACR-type circuit breakers can be used in place of fuses.

#### Operating Limits:

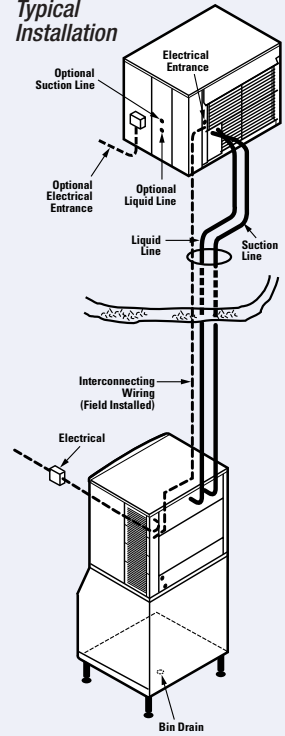
- Ambient Temperature Range: -20° - 120°F (-29° - 49°C)



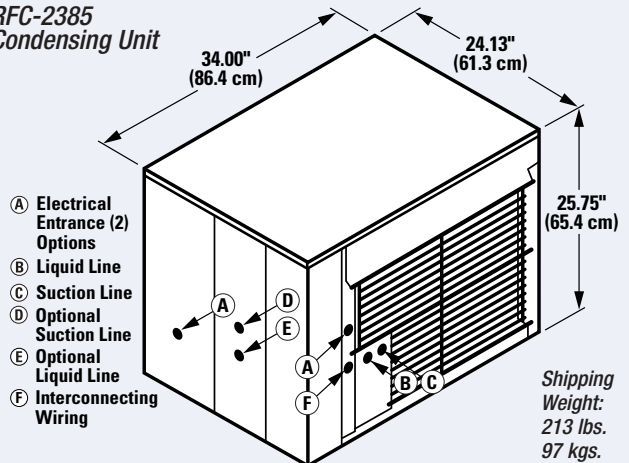
### Standard Interconnecting Tubing

Model	Line Length		Weight	
	ft.	m.	lbs.	kgs.
RC-20	20	6	10	5
RC-30	30	9	15	7
RC-50	50	15	25	12

### Typical Installation



### RFC-2385 Condensing Unit



MANITOWOC ICE, INC.  
2110 South 26th Street, P.O. Box 1720  
Manitowoc, WI 54221-1720, USA  
Ph: 920-682-0161 • Fax: 920-683-7589  
Visit us online at [www.manitowocice.com](http://www.manitowocice.com)

